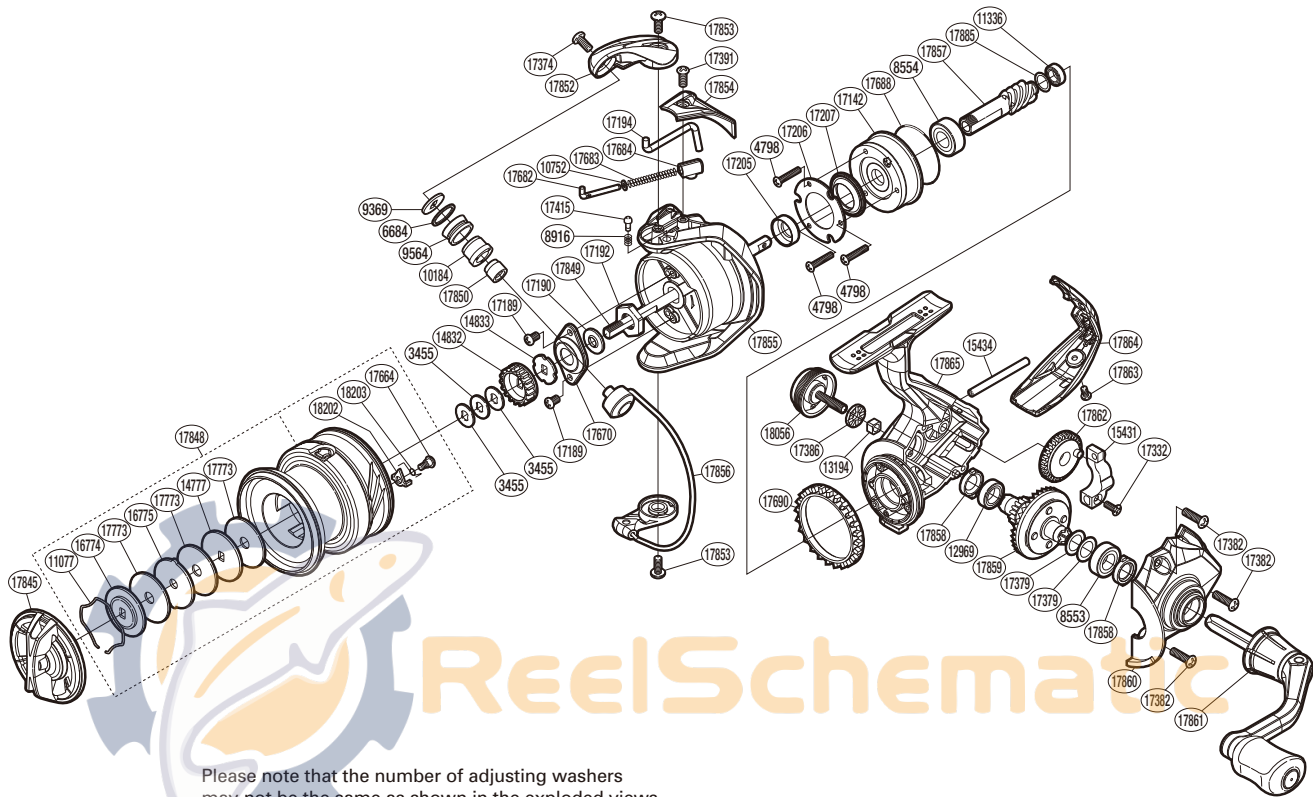


SHIMANO

NASCI

NAS-2500FB



Please note that the number of adjusting washers may not be the same as shown in the exploded views.

(51SD412500X) (Adjustment will vary with each individual product.)

Part No.	Description	Part No.	Description	Part No.	Description
RD 3455	Spool Washer	RD17189	Screw	RD17845	Drag Knob
RD 4798	Roller Clutch Screw	RD17190	Bearing Water Proof	RD17848	Spool Assembly
RD 6684	Line Roller Spacer	RD17192	Rotor Nut	RD17849	Main Shaft
RD 8553	Ball Bearing	RD17194	Bail Trip Lever	RD17850	Line Roller Collar
RD 8554	Ball Bearing	RD17205	Rotor Ring	RD17852	Bail Arm
RD 8916	Click Spring	RD17206	Roller Clutch Reinforce	RD17853	Screw
RD 9369	Line Roller Washer	RD17207	Roller Clutch Water Proof	RD17854	Bail Spring Cover
RD 9564	Line Roller	RD17332	Screw	RD17855	Rotor
RD10184	Line Roller Bushing	RD17374	Screw	RD17856	Bail Assembly
RD10752	Bail Spring Guide A Support	RD17379	Washer	RD17857	Pinion Gear
RD11077	Drag Washers Retainer	RD17382	Screw	RD17858	Bearing Water Proof
RD11336	Ball Bearing	RD17386	Handle Screw Cap Spacer	RD17859	Drive Gear
RD12969	Ball Bearing	RD17391	Screw	RD17860	Side Cover
RD13194	Handle Screw Lock	RD17415	Click Pin	RD17861	Handle Assembly
RD14777	Key Washer	RD17664	Screw	RD17862	Oscillating Gear
RD14832	Spool Support A	RD17670	Rotor Nut Lock Plate	RD17863	Screw
RD14833	Spool Support B	RD17682	Bail Spring Guide A	RD17864	Rear Protector
RD15431	Oscillating Slider	RD17683	Bail Spring	RD17865	Body
RD15434	Oscillating Guide	RD17684	Bail Spring Seat	RD17885	Washer
RD16774	Key Washer	RD17688	O Ring	RD18056	Handle Screw Cap
RD16775	Eared Washer	RD17690	Friction Ring	RD18202	Drag Click
RD17142	Roller Clutch Assembly	RD17773	Drag Washer	RD18203	Drag Click Spring